

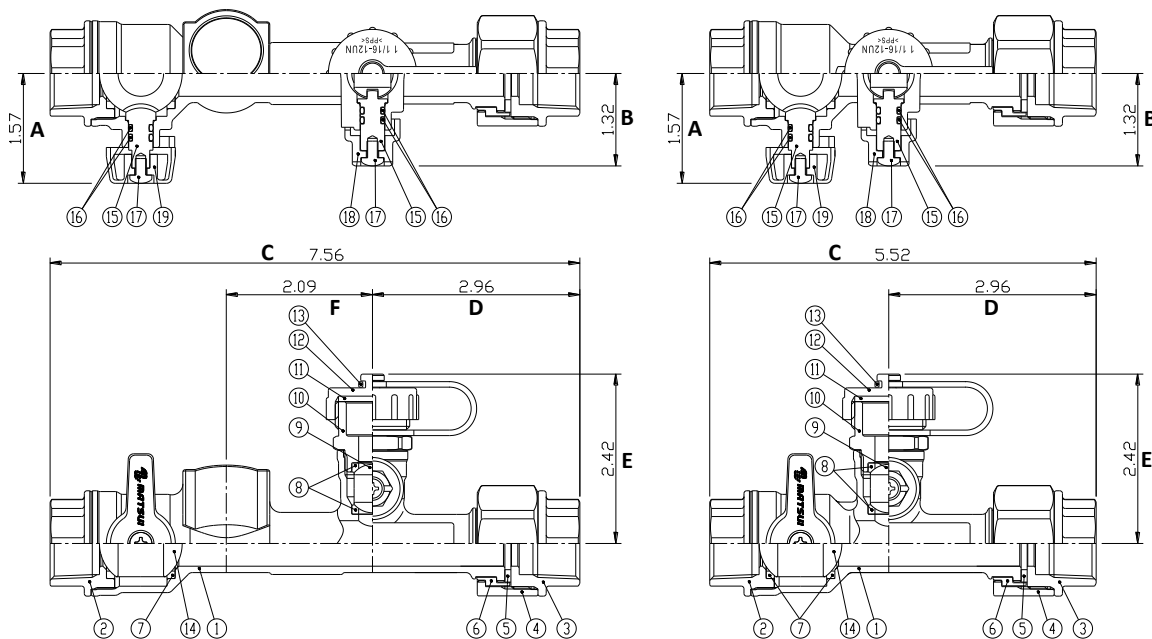
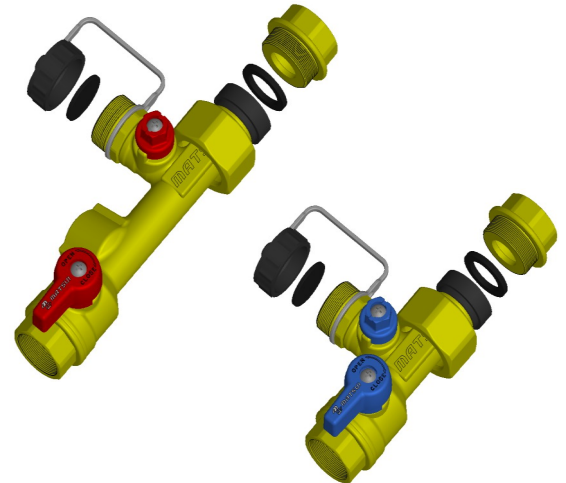
ISOLATION VALVES



for TANKLESS WATER HEATER SYSTEMS

Matsui USA, Inc.
<http://www.matsui.us>

- Compact design for easy fit with recess box/pipe cover.
- Dielectric unions with EPDM gasket.
- NSF/ANSI Standard 61.
- IAPMO Standard IGC 157-2009a Complies with Lead Plumbing Law.
- Color coded red/blue main valve handle.
- Safe drain: drain cap with EPDM gasket, 1/2 inch hex (child resistant).
- Pressure relief valve included. (200,000 BTU)
- Available in Thread & Sweat connections.
- Available in standard brass & lead free.
- 100% leak tested.
- Lifetime limited warranty



Material		Type	Size	A	B	C	D	E	F
Lead Free	Standard								
MRIK-LF-S	MRIK-S	Cold	3/4"	1.57"	1.32"	6.1"	2.96"	2.42"	NA
		Hot				8.1"			2.09"
MRIK-LF-T	MRIK-T	Cold				5.52"			NA
		Hot				7.56"			2.09"

No.	Part Name	Material
1	BODY	BRASS
2	END CAP	BRASS
3	UNION FITTING	BRASS
4	UNION NUT	BRASS
5	UNION GASKET	EPDM
6	UNION INSULATOR	PLASTIC (PPS)
7	SEATS	PTFE
8	SEATS	PTFE
9	BALL	BRASS/CHROME PLATE
10	DRAIN END CAP	BRASS
11	DRAIN GASKET	EPDM
12	DRAIN CAP	PLASTIC (PPS)
13	CAP RETAINER	PLASTIC (PE)
14	BALL	BRASS (3604B)
15	STEM	FLUORO RUBBER
16	PACKING	304 STAINLESS STEEL
17	HANDLE SCREW	ALUMINIUM
18	DRAIN VALVE HANDLE	ALUMINIUM
19	MAIN VALVE HANDLE	ZINC

CALIFORNIA PROPOSITION 65 WARNING

WARNING: This product contains chemicals known to the state of California to cause cancer and birth defects or other reproductive harm. (California law requires this warning to be given to customers in the State of California.)

It should be noted that lead free brass does not mean "completely void of lead." Safe levels have been established at "not more than a weighted average of 0.25% of the wetted surface of valves."